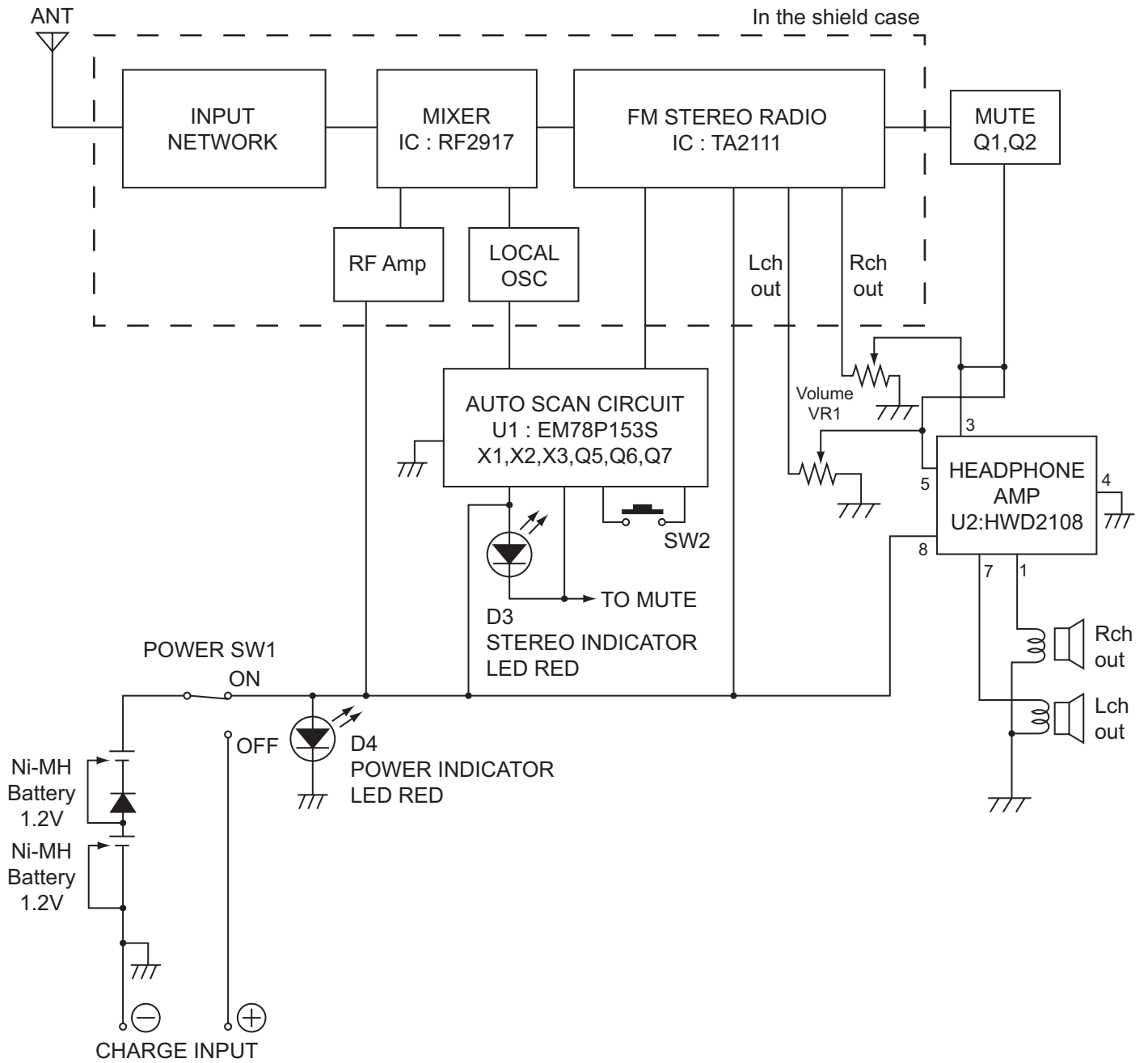
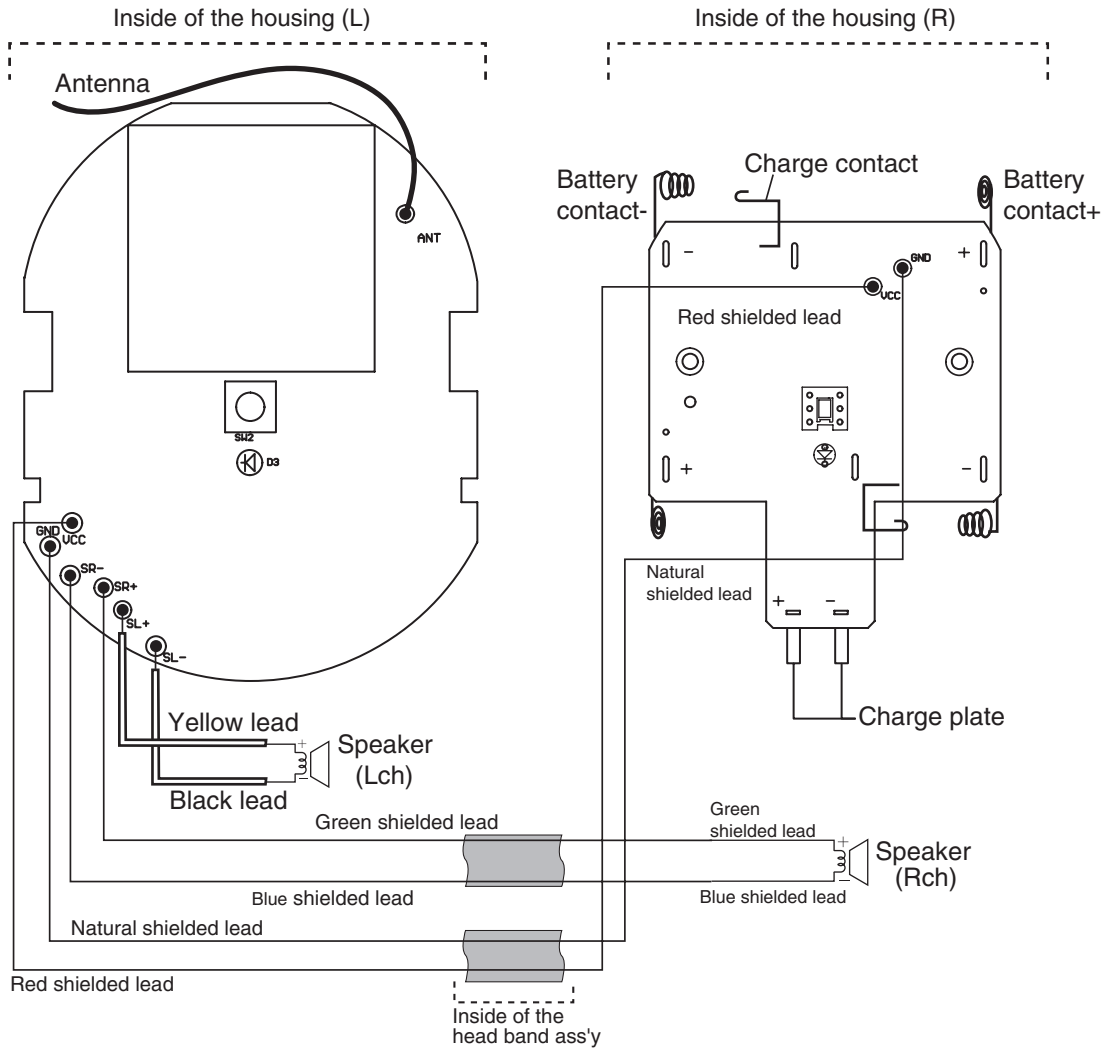


Block diagram

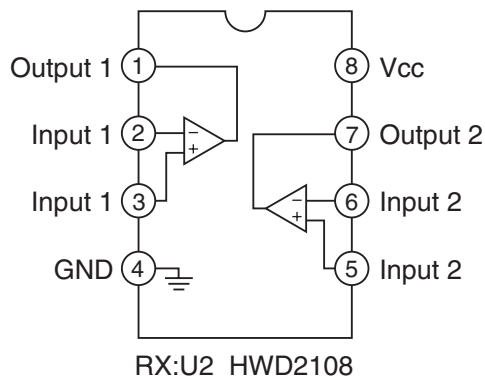
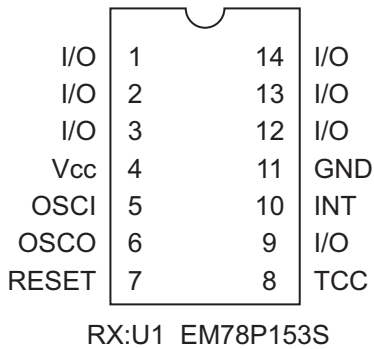
■ Receiver (Headphones) J/C Model: 900 MHz and G/B Model: 863 MHz



Wiring Diagram

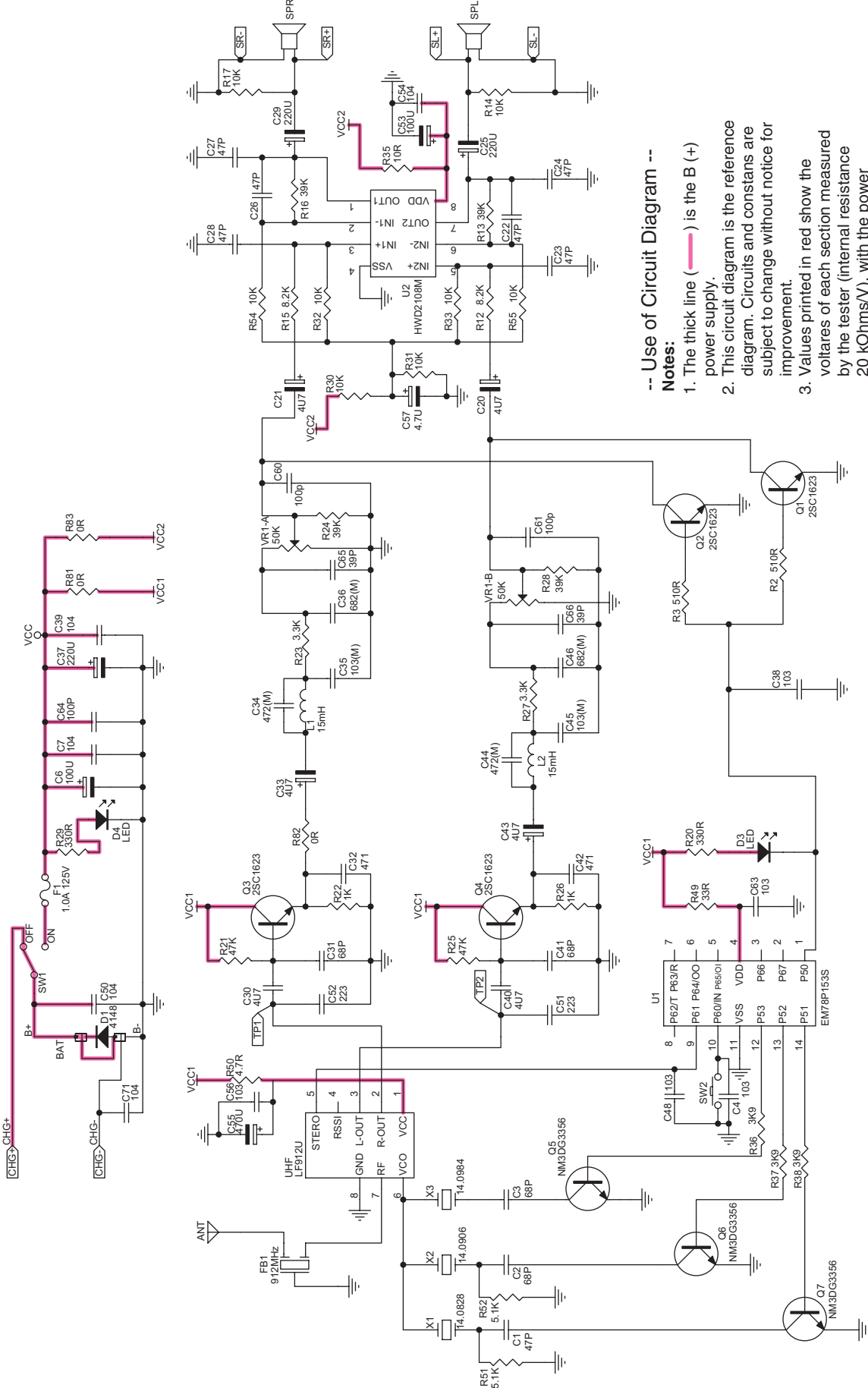


Block View Inside IC



Standard schematic diagrams

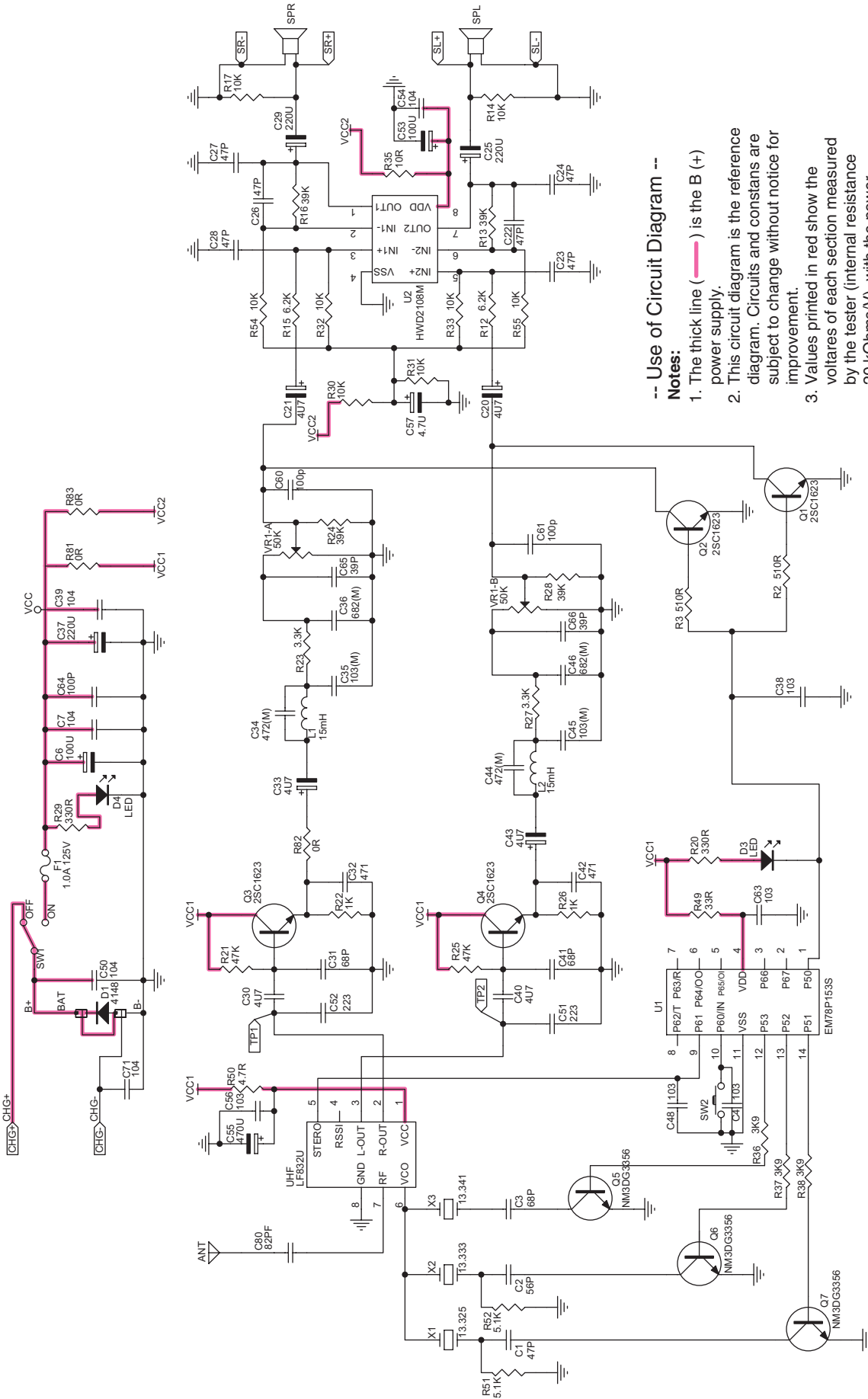
Receiver (Headphones) for J/C Model : 900MHz type



-- Use of Circuit Diagram --

- Notes:**
1. The thick line (—) is the B (+) power supply.
 2. This circuit diagram is the reference diagram. Circuits and constants are subject to change without notice for improvement.
 3. Values printed in red show the voltages of each section measured by the tester (internal resistance 20 kOhms/V), with the power switch ON.
 4. Parts marked with Δ (in the shaded area \square) are safety parts. When replacing these, be sure to use only the designated parts to ensure safety.

Receiver (Headphones) for G/B Model : 863MHz type



-- Use of Circuit Diagram --

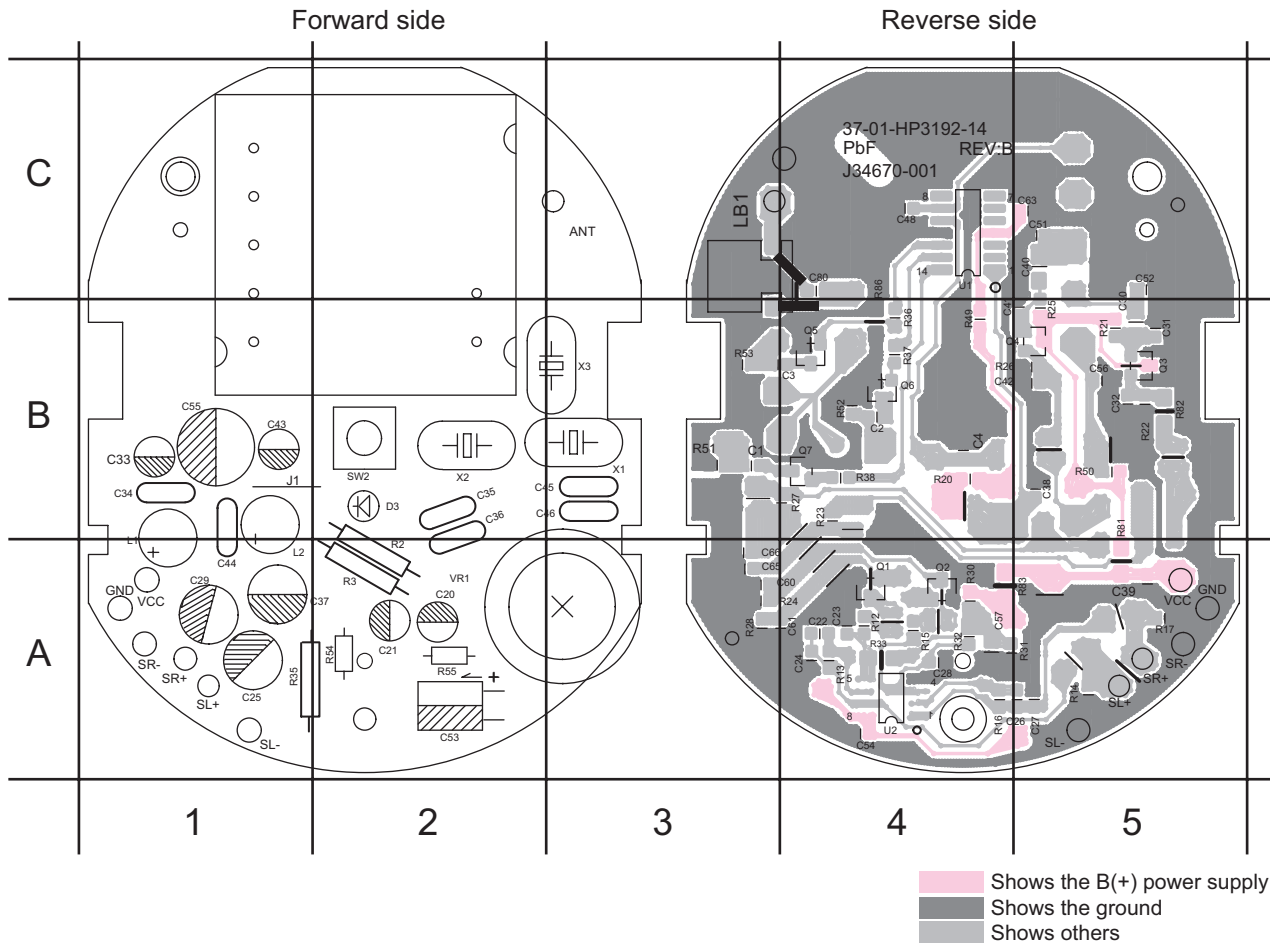
Notes:

1. The thick line (—) is the B (+) power supply.
2. This circuit diagram is the reference diagram. Circuits and constants are subject to change without notice for improvement.
3. Values printed in red show the voltages of each section measured by the tester (internal resistance 20 kOhms/V), with the power switch ON.
4. Parts marked with Δ (in the shaded area \square) are safety parts. When replacing these, be sure to use only the designated parts to ensure safety.

NOTE: The module HP2382 should select these component or value within the dashed line
 The resistor value unit in OHM
 The capacitor value unit in PF

Printed circuit boards

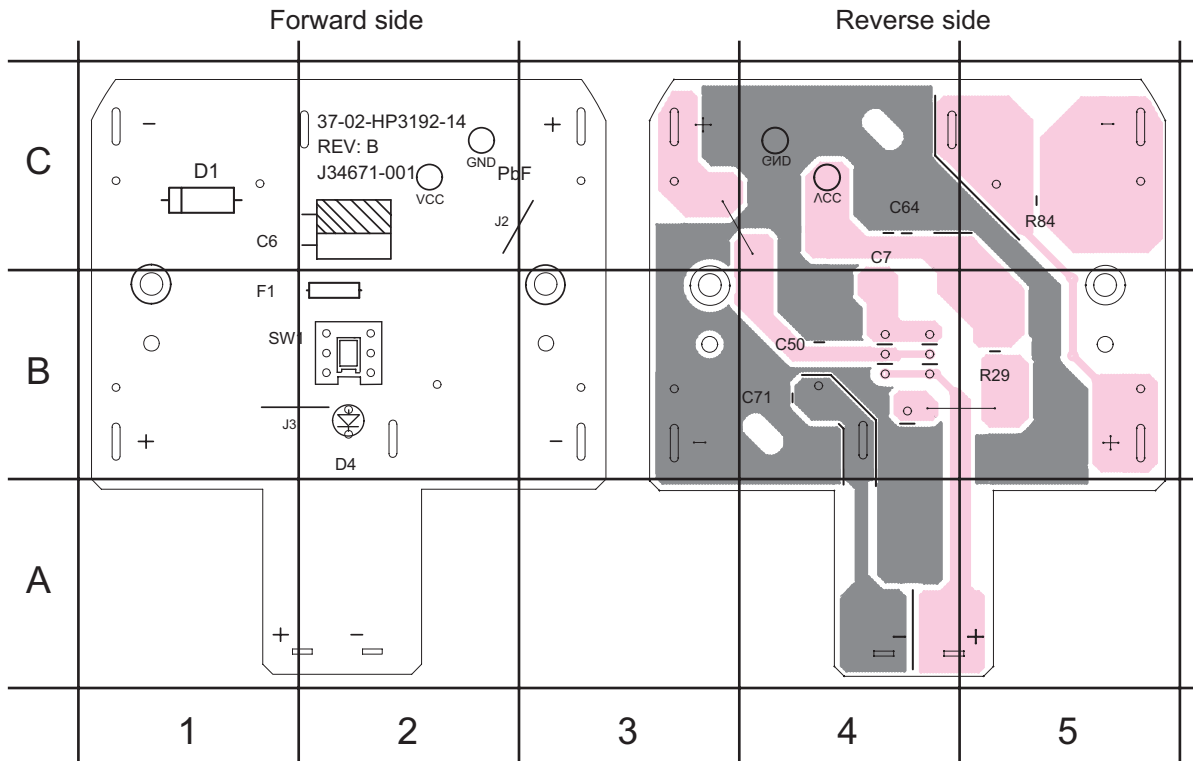
Receiver (Headphones) Main P.C.B. Ass'y



Location (Main P.C.B. Ass'y)

Symbol	Location	Symbol	Location	Symbol	Location	Symbol	Location	Symbol	Location
ICs		R22	5B	R83	5A	C37	2A	Inductor	
U1	4C	R23	4B	R86	4C	C38	5B	L1	1A
U2	4A	R24	4A	Capacitor		C39	5A	L2	1B
Diode		R25	5B	C1	3B	C40	5C	Other	
D3	2B	R26	5B	C2	4B	C41	5B	J1	1B
Transistor		R27	4B	C3	2A	C42	4B	LB1	3C
Q1	4A	R28	3A	C4	5C	C43	1B	SL-	1A
Q2	4A	R30	4A	C20	2A	C44	1B	SL+	1A
Q3	5B	R31	4A	C21	2A	C45	3B	SR-	1A
Q4	5B	R32	4A	C22	4A	C46	3B	SR+	1A
Q5	4B	R33	4A	C23	4A	C48	4C	SW2	2B
Q6	4B	R35	1A	C24	4A	C51	5C	VCC	1A
Q7	4B	R36	4B	C25	1A	C52	5C	VR1	2A
Resistor		R37	4B	C26	5A	C53	2A	X1	3B
R2	2A	R38	4B	C27	5A	C54	4A	X2	2B
R3	5A	R49	4B	C28	4A	C55	1B	X3	3B
R12	4A	R50	5B	C29	1A	C56	5B		
R13	4A	R51	3B	C30	5B	C57	4A		
R14	5A	R52	4B	C31	5B	C60	4A		
R15	4A	R53	3B	C32	5B	C61	4A		
R16	4A	R54	2A	C33	1B	C63	5C		
R17	5A	R55	2A	C34	1B	C65	3A		
R20	4B	R81	5B	C35	2B	C66	3A		
R21	5B	R82	5B	C36	2B	C80	4C		

Receiver (Headphones) Power P.C.B. Ass'y



Shows the B(+) power supply
 Shows the ground
 Shows others

Location (Power P.C.B. Ass'y)

Symbol	Location	Symbol	Location
Diode		Other	
D1	1C	F1	2B
D4	2B	J2	2C
Resistor		J3	1B
R29	5B	SW1	2B
R84	5C		
Capacitor			
C6	1C		
C7	4C		
C50	4B		
C64	4C		
C71	4B		